



ZHEJIANG UNIÜ-NE Technology CO., LTD

浙江宇力微新能源科技有限公司



## U75XX Data Sheet

V 1.1

版权归浙江宇力微新能源科技有限公司

## Features

- Vin Range up to 40V
- Output range:1.5V~5.0V
- Maximum output current: 250mA
- PSRR: 80dB @1KHz
- Dropout voltage:400mV @ IO<sub>UT</sub>=100mA
- Ultra low quiescent current:1.5μA Typ.
- Output voltage tolerances of ±2% Over the temperature range
- Internal thermal overload protection
- Built-in Short-Circuit Protection, Current Limiter

## Applications

- E-meters, Water Meters and Gas Meters
- Cellphones, radiophone, digital cameras
- Fire Alarm, Smoke Detector
- Appliances and White Goods

## General Description

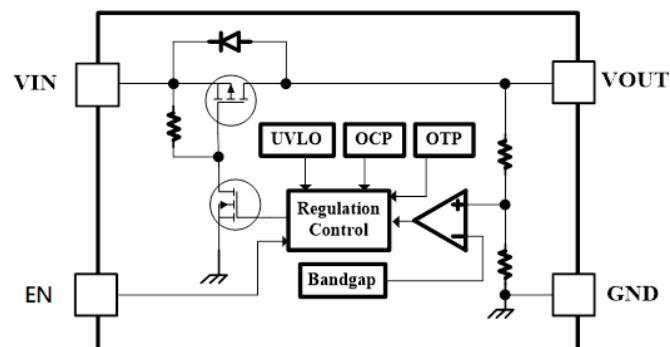
The U75XX is ultra-low quiescent current regulator features low dropout voltage and low current in the standby mode. With less than 1.5μA quiescent current at no load, the U75XX is ideally suited for standby micro-control-unit systems, especially for always-on applications like E-meters, fire alarms, smoke detectors and other battery-operated systems. The U75XX retains all of the features that are common to low dropout regulators including a

low dropout PMOS pass device, short circuit protection, and thermal shutdown.

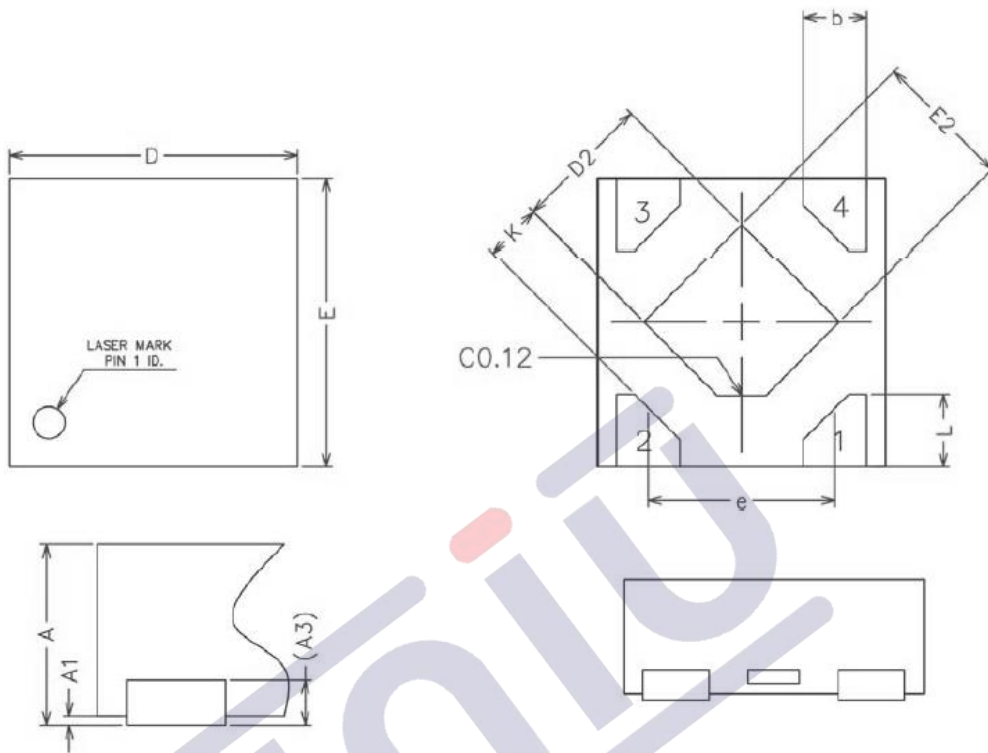
The U75XX has 40V maximum operating voltage limit, and -40°C to 125°C operating temperature range, and ±2% output voltage tolerance over the entire output current, input voltage, and temperature range.

The U75XX regulators are available in standard SOT23-3, SOT23-5, SOT89 and DFN1\*1-4 packages.

## Block Diagram



DFN1\*1-4 Outline Dimensions



COMMON DIMENSIONS  
(UNITS OF MEASURE=MILLIMETER)

SYMBOL	MIN	NOM	MAX
A	0.34	0.37	0.40
A1	0.00	0.02	0.05
A3	0.100REF		
b	0.17	0.22	0.27
D	0.95	1.00	1.05
E	0.95	1.00	1.05
D2	0.43	0.48	0.53
E2	0.43	0.48	0.53
L	0.20	0.25	0.30
e	-	0.65	-
K	0.15	-	-

## 1.版本记录

DATE	REV.	DESCRIPTION
2018/04/19	1.0	First Release
2022/02/11	1.1	Layout adjustment

## 2.免责声明

浙江宇力微新能源科技有限公司保留对本文档的更改和解释权力，不另行通知！客户在下单前应获取我司最新版本资料，并验证相关信息是否最新和完整。量产方案需使用方自行验证并自担所有批量风险责任。未经我司授权，该文件不得私自复制和修改。产品不断提升，以追求高品质、稳定性强、可靠性高、环保、节能、高效为目标，我司将竭诚为客户提供性价比高的系统开发方案、技术支持等更优秀的服务。

版权所有 浙江宇力微新能源科技有限公司/绍兴宇力半导体有限公司

## 3.联系我们

浙江宇力微新能源科技有限公司

总部地址：绍兴市越城区斗门街道袍渎路25号中节能科创园45幢4/5楼 电话：

0575-85087896（研发部）

传真：0575-88125157

E-mail: htw@uni-semic.com

无锡地址：无锡市锡山区先锋中路6号中国电子（无锡）数字芯城1#综合楼503室

电话：0510-85297939

E-mail: zh@uni-semic.com

深圳地址：深圳市宝安区西乡街道南昌社区宝源路泳辉国际商务大厦410

电话：0755-84510976

E-mail: htw@uni-semic.com